



EYE TO EYE

SECURITY

Versatile

Moving

Surveillance

***YOUR GOAL IS
OUR MISSION***

Data Sheets

Contents Page

Page 1	IPC2211-FN-SIR 2.0MP Starlight & Ultra WDR HD Network IR Semi Dome
Page 2	IPC2211-HN-DIR, 2.0MP HD Network IR Semi Dome Camera
Page 3	IPC2211-HN-SIR, 2.0MP HD Network IR Semi Dome Camera
Page 4	IPC2411-HN-DIR, 4.0MP HD Network Semi Dome Camera
Page 5	IPC2411-HN-SIR, 4.0MP HD Network Semi Dome Camera
Page 6	IPC521-H120-W, 2.0MP 20x Vehicle WIFI PTZ Camera
Page 7	IPC521-H120-N, 2.0MP 20x Vehicle PTZ Camera
Page 8	IPC521-F233-N, 2.0MP 33x Vehicle PTZ Camera
Page 9	KDM2410M-V21, Vehicle NVR / WiFi, 4G, GPS
Page 10	KDM-2510 series, Vehicle NVR / WiFi, 4G, GPS
Page 11	IPA102 Network Video Adaptor
Page 12	Closing Note

IPC2211-FN-SIR

2.0MP Starlight & Ultra WDR HD Network IR Semi Dome Camera



Features

Excellent Image Quality

- 2.0 Megapixel 1/2.8" progressive scan CMOS sensor
- High definition and smooth picture, 1080p@30fps
- H.265 video codec, saves up to 50% bandwidth and storage
- Low illumination, 0.002lux with color picture
- 120dB Ultra WDR
- 3D noise reduction / HLC

Intelligent Functions

- Motion detection / Tampering / Guard line / Defocus / Scene change / Enter guard area / Exit guard area / Object left / Object removal / Gathering / Audio surge

Integrated High Efficiency IR

- Industrial IR LED with long operational lifespan
- 40m IR distance
- Smart IR function

A Variety of Installation Modes

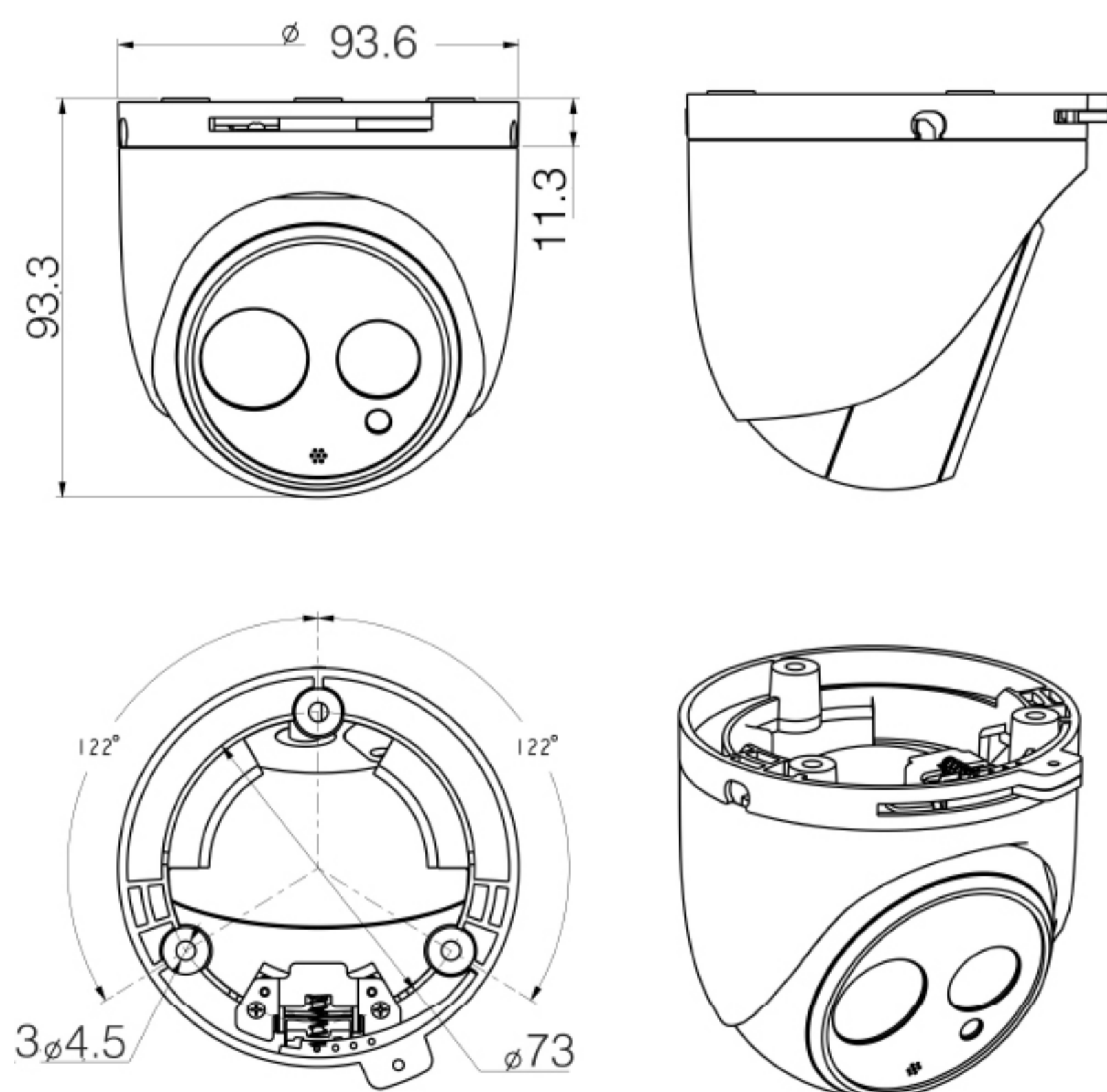
- 90°, 180°, 270° image rotation supported

Abundant Functions and Features

- Micro SD card slot, supports Automatic Network Replenishment (ANR) supported
- Bi-directional audio / Built-in Mic / alarm in and out / video out / RS485
- 2 channel audio input simultaneously
- Dual-stream (1080p + D1)
- Anti-fog glass
- PoE
- IP66

Dimensions

Units: mm



Specifications

Model	IPC2211-FN-SIR
Camera	
Image Sensor	1/2.8" progressive scan CMOS
Pixels	2.0 Megapixel
Min. Illumination	Color: 0.0002lux @ (F1.6, AGC ON) B/W: 0.0002lux @ (F1.6, AGC ON); 0lux with IR
Shutter Speed	1 ~ 1/30,000s
Day / Night	Auto (ICR) / Color / B/W
Wide Dynamic Range	Ultra WDR >=120db
S/N Ratio	>52dB
White Balance	Auto / Manual
Gain Control	Auto / Manual
Backlight	Off / WDR / BLC / HLC
Lens	
Mount Type	M12
Focal Length	2.8mm (-L0280) / 3.6mm (-L0360) / 6mm (-L0600) / 8mm (-L0800)
Angle of View	101.2° (-L0280) / 78.6° (-L0360) / 53.2° (-L0600) / 36.8° (-L0800)
Adjustment Range	Pan: 0° ~ 360° / Tilt: 0° ~ 85° / Rotation: 0° ~ 360°
Infrared	
IR Distance	40m
IR Intensity	Smart IR
Video	
Compression	H.265 / H.264 / MJPEG
Image Resolution	Main stream: 1080p Secondary stream: D1
Frame Rate	Main stream: 1080p@30fps Secondary stream: D1@30fps
Bitrate	64kbps ~ 8Mbps
Bitrate Control	VBR / CBR
Dual-stream	Supported
Caption	Date and time / Alarm / Customized
Privacy Masking	Up to 4 zones
Motion Detection	Up to 4 zones
ROI	Supported
Digital Noise Reduction	3D noise reduction
Digital Defog	Supported
Image Flip	Flip / Mirror / Rotation at 90°, 180°, 270°
Audio	
Compression	G.711a / G.711u / ADPCM / G.722 / AAC-LC
Bitrate	32kbps ~ 64kbps
Audio Function	Bi-directional audio / AEC / Mixed audio recording / Dumb / Mute
Network	
Network Protocols	TCP/IP, UDP, HTTP, DHCP, DNS/DDNS, RTP/RTCP, RTSP, PPPoE, FTP, VSIP, UPnP, 802.1x, NAT, QoS, SMTP, IPv4, IPv6 (optional)
User Interface	IPC Control (IE, Firefox, Chrome)
Max. User Access	10 users including 2 internal
Application Programming	ONVIF (Profile S, Profile G), GB/T 28181-2011, API, CGI
Automatic Network Replenishment (ANR)	Supported
Alarm	
Alarm Triggers	Alarm input / Network disconnect / Disk full / Disk error
Intelligent	Motion detection / Tampering / Guard line / Defocus / Scene change / Enter guard area / Exit guard area / Object left / Object removal / Gathering / Audio surge
Alarm Events	Alarm report / Recording / Text overlay / Snapshot / External output / Email notice / Acoustic alarm
Interfaces	
Ethernet	10/100M, RJ45 interface
Audio In / Out	2 x Line in / 1 x Line out / 1 x Built in Mic
Control	1 x RS485
Alarm In / Out	1 x Input / 1 x Output
Video Out	1 x BNC, 1.0V Ip-p / 75Ω
Memory Slot	Micro SD card slot, supports up to 128GB
Environmental	
Operating Temperature	40°C ~ 60°C / 40°F ~ 140°F
Operating Humidity	10% ~ 95%
Protection Level	IK10 (optional), IP66
Electrical	
Power	12V DC ± 10% / PoE (IEEE802.3af)
Power Consumption	Max. 11W
Mechanical	
Weight	1kg / 2.2lb (Gross Weight)
Dimensions	Φ93.6 × 93.3mm / Φ3.69" × 3.68"

IPC2211-HN-DIR

2.0MP HD Network IR Semi Dome Camera



Features

Excellent Image Quality

- 2.0 Megapixel 1/3" progressive scan CMOS Sensor
- High definition and smooth picture, 1080p@30fps
- H.265 video codec, saves up to 50% bandwidth and storage
- Low illumination, 0.03lux with color picture
- WDR / HLC / 3D noise reduction

Intelligent

- Motion detection / Tampering / Guard line / Enter guard area / Exit guard area

Integrated High Efficiency IR

- Industrial IR LED with long operational lifespan
- 30m IR distance
- Smart IR function

A Variety of Installation Modes

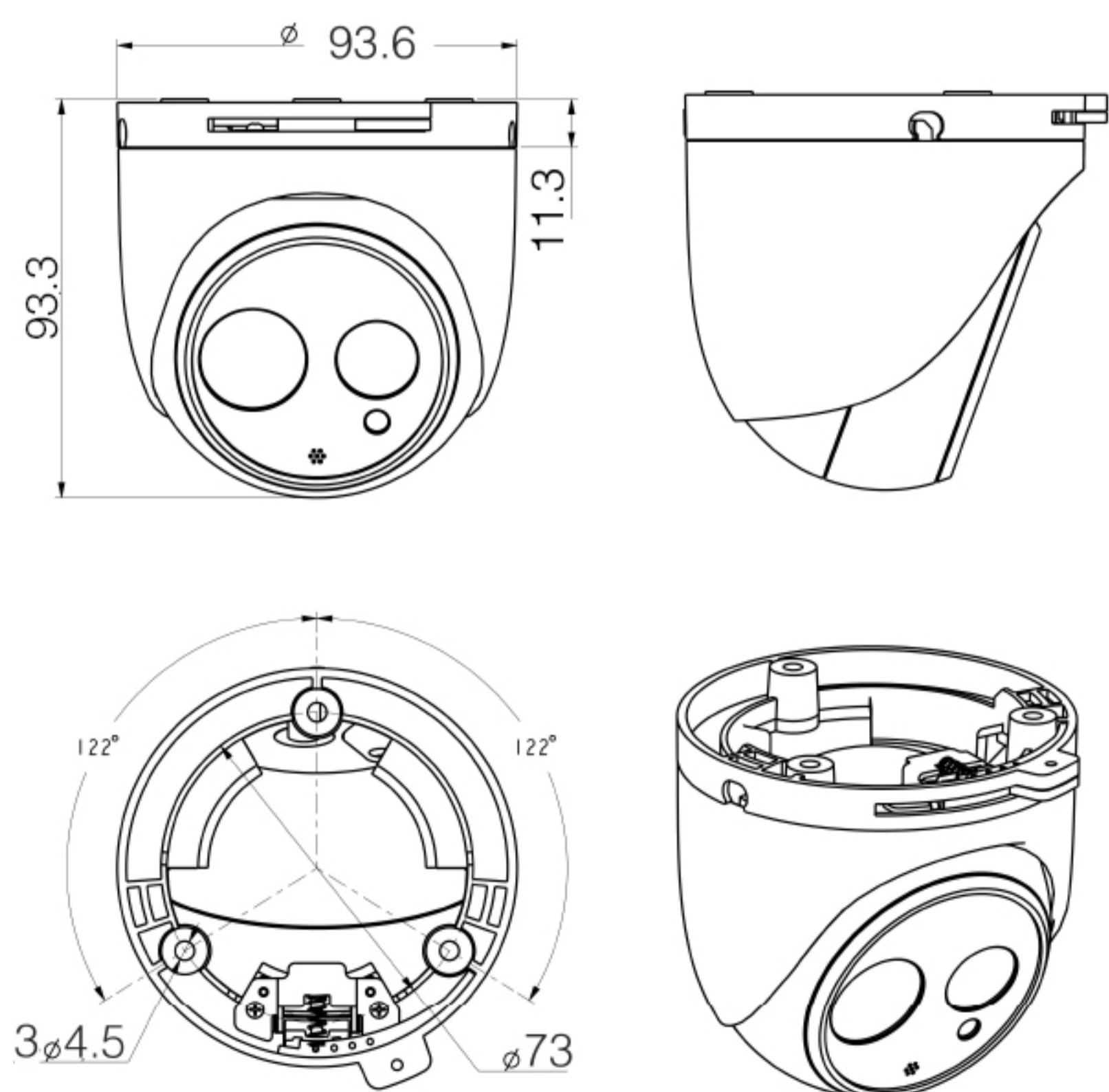
- 90°, 180°, 270° image rotation supported

Abundant Functions and Features

- Built-in Mic
- Dual-stream (1080p + D1)
- Anti-fog glass
- IP66

Dimensions

Units: mm



Specifications

Model	IPC2211-HN -DIR
Camera	
Image Sensor	1/3" progressive scan CMOS
Pixels	2.0 Megapixel
Min. Illumination	Color: 0.03lux @ (F1.6, AGC ON) B/W: 0lux with IR
Shutter Speed	1 ~ 1/30,000s
Day / Night	Auto (ICR) / Color / B/W
Wide Dynamic Range	Digital WDR
S/N Ratio	>50dB
White Balance	Auto / Manual
Gain Control	Auto / Manual
Backlight Compensation	Off / WDR / BLC / HLC
Lens	
Mount Type	M12
Focal Length	2.8mm (-L0280) / 3.6mm (-L0360) / 6mm (-L0600) / 8mm (-L0800)
Angle of View	101.2° (-L0280) / 78.6° (-L0360) / 53.2° (-L0600) / 36.8° (-L0800)
Adjustment Range	Pan: 0° ~ 360° / Tilt: 0° ~ 85° / Rotation: 0° ~ 360°
Infrared	
IR Distance	30m
IR Intensity	Smart IR
Video	
Compression	H.265 / H.264 / MJPEG
Image Resolution	Main stream: 1080p Secondary stream: D1
Frame Rate	Main stream: 1080p@30fps Secondary stream: D1@30fps
Bitrate	64kbps ~ 16Mbps
Bitrate Control	VBR / CBR
Dual-stream	Supported
Caption	Date and time / Alarm / Customized
Privacy Masking	Up to 4 zones
Motion Detection	Up to 4 zones
ROI	Supported
Digital Noise Reduction	3D noise reduction
Digital Defog	Supported
Image Flip	Flip / Mirror / Rotation at 90°, 180°, 270°
Audio	
Compression	G.711a / G.711u / ADPCM / G.722 / AAC-LC
Bitrate	32kbps ~ 64kbps
Network	
Network Protocols	TCP/IP, UDP, HTTP, DHCP, DNS/DDNS, RTP/RTCP, RTSP, PPPoE, FTP, VSIP, UPnP, 802.1x, NAT, QoS, SMTP, IPv4, IPv6 (optional)
User Interface	IPC Control (IE, Firefox, Chrome)
Max. User Access	10 (includes 2 internal)
Application Programming	ONVIF (Profile S, Profile G), GB/T 28181-2011, API, CGI
Alarm	
Alarm Triggers	Network disconnect
Intelligent	Motion detection / Tampering / Guard line / Enter guard area / Exit guard area
Alarm Events	Alarm report / Text overlay / Email notice
Interfaces	
Ethernet	10/100M, RJ45 interface
Audio	1 x Built-in Mic
Environmental	
Operating Temperature	-40°C ~ 60°C / -40°F ~ 140°F
Operating Humidity	10% ~ 95%
Protection Level	IP66
Electrical	
Power	12V DC ± 10% / External PoE (Optional)
Power Consumption	Max. 11W
Mechanical	
Weight	1kg / 2.2lb (Gross Weight)
Dimensions	Φ93.6 × 93.3mm / Φ3.69" × 3.68"

IPC2211-HN-SIR

2.0MP HD Network IR Semi Dome Camera



Features

Excellent Image Quality

- 2.0 Megapixel 1/3" progressive scan CMOS Sensor
- High definition and smooth picture, 1080p@30fps
- H.265 video codec, saves up to 50% bandwidth and storage
- Low illumination, 0.03lux with color picture
- WDR / HLC / 3D noise reduction

Intelligent

- Motion detection / Tampering / Guard line / Enter guard area / Exit guard area

Integrated High Efficiency IR

- Industrial IR LED with long operational lifespan
- 30m IR distance
- Smart IR function

A Variety of Installation Modes

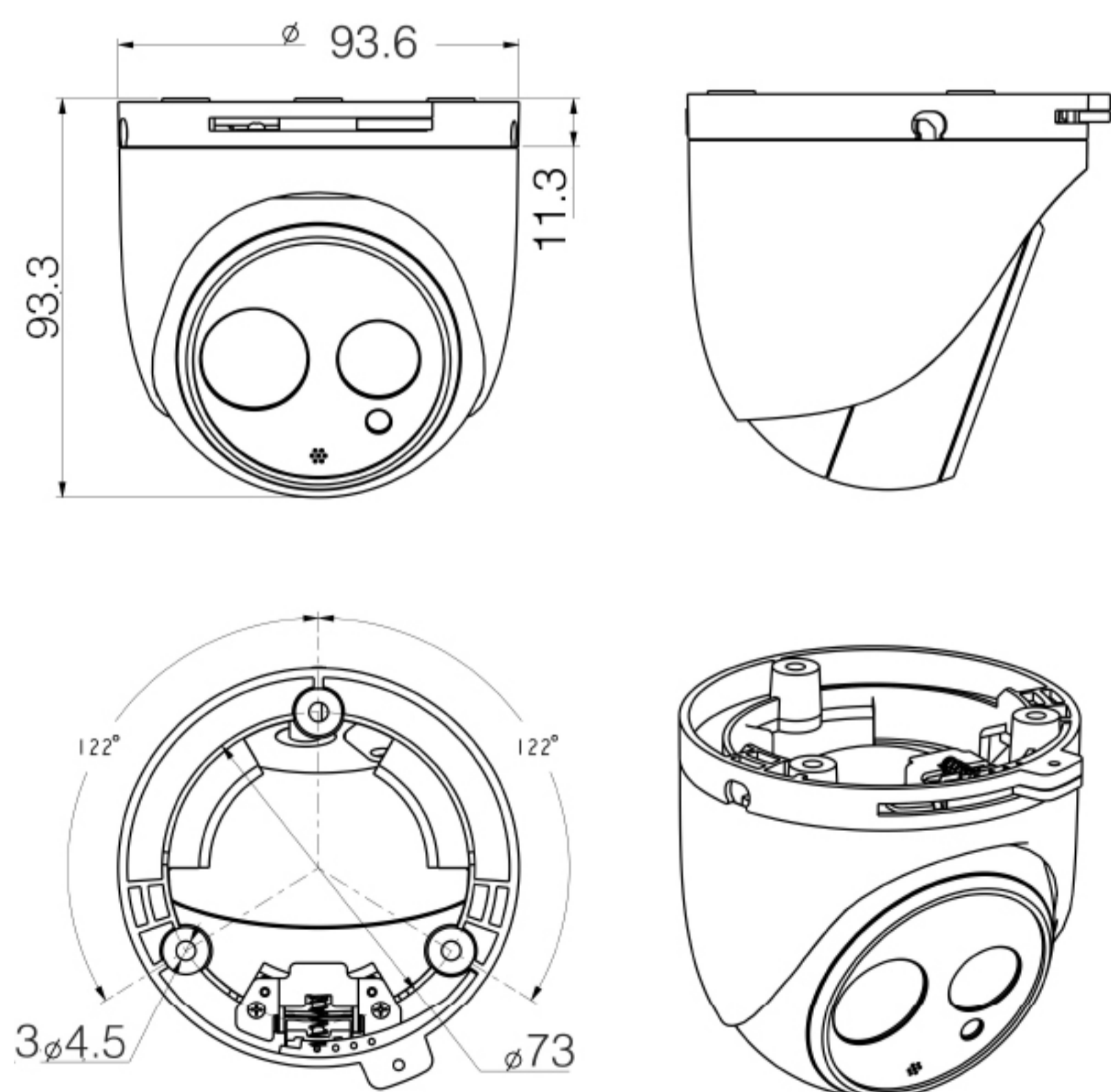
- 90°, 180°, 270° image rotation supported

Abundant Functions and Features

- Automatic Network Replenishment (ANR) supported
- Bi-directional audio / Built-in Mic / alarm in and out / video out / RS485
- 2 channel audio input simultaneously
- Dual-stream (1080p + D1)
- Anti-fog glass
- PoE
- IP66

Dimensions

Units: mm



Specifications

Model	IPC2211-HN -SIR
Camera	
Image Sensor	1/3" progressive scan CMOS
Pixels	2.0 Megapixel
Min. Illumination	Color: 0.03lux @ (F1.6, AGC ON) B/W: 0lux with IR
Shutter Speed	1 ~ 1/30,000s
Day / Night	Auto (ICR) / Color / B/W
Wide Dynamic Range	Digital WDR
S/N Ratio	>50dB
White Balance	Auto / Manual
Gain Control	Auto / Manual
Backlight Compensation	Off / WDR / BLC / HLC
Lens	
Mount Type	M12
Focal Length	2.8mm (-L0280) / 3.6mm (-L0360) / 6mm (-L0600) / 8mm (-L0800)
Angle of View	101.2° (-L0280) / 78.6° (-L0360) / 53.2° (-L0600) / 36.8° (-L0800)
Adjustment Range	Pan: 0° ~ 360° / Tilt: 0° ~ 85° / Rotation: 0° ~ 360°
Infrared	
IR Distance	30m
IR Intensity	Smart IR
Video	
Compression	H.265 / H.264 / MJPEG
Image Resolution	Main stream: 1080p Secondary stream: D1
Frame Rate	Main stream: 1080p@30fps Secondary stream: D1@30fps
Bitrate	64kbps ~ 16Mbps
Bitrate Control	VBR / CBR
Dual-stream	Supported
Caption	Date and time / Alarm / Customized
Privacy Masking	Up to 4 zones
Motion Detection	Up to 4 zones
ROI	Supported
Digital Noise Reduction	3D noise reduction
Digital Defog	Supported
Image Flip	Flip / Mirror / Rotation at 90°, 180°, 270°
Audio	
Compression	G.711a / G.711u / ADPCM / G.722 / AAC-LC
Bitrate	32kbps ~ 64kbps
Audio Function	Bi-directional audio / AEC / Mixed audio recording / Dumb / Mute
Network	
Network Protocols	TCP/IP, UDP, HTTP, DHCP, DNS/DDNS, RTP/RTCP, RTSP, PPPoE, FTP, VSIP, UPnP, 802.1x, NAT, QoS, SMTP, IPv4, IPv6 (optional)
User Interface	IPC Control (IE, Firefox, Chrome)
Max. User Access	10 (includes 2 internal)
Application Programming	ONVIF (Profile S, Profile G), GB/T 28181-2011, API, CGI
Automatic Network Replenishment (ANR)	Supported
Alarm	
Alarm Triggers	Alarm input / Network disconnect / Disk full / Disk error
Intelligent	Motion detection / Tampering / Guard line / Enter guard area / Exit guard area
Alarm Events	Alarm report / Recording / Text overlay / Snapshot / External output / Email notice / Acoustic alarm
Interfaces	
Ethernet	10/100M, RJ45 interface
Audio In / Out	2 x Line in / 1 x Line out / 1 x Built-in Mic
Control	1 x RS485
Alarm In / Out	1 x Input / 1 x Output
Video Out	1 x BNC, 1.0V [p-p] / 75Ω
Memory Slot	TF card slot, supports up to 128GB
Environmental	
Operating Temperature	-40°C ~ 60°C / -40°F ~ 140°F
Operating Humidity	10% ~ 95%
Protection Level	IP66
Electrical	
Power	12V DC ± 10% / PoE (IEEE802.3af)
Power Consumption	Max. 11W
Mechanical	
Weight	1kg / 2.2lb (Gross Weight)
Dimensions	Φ93.6 x 93.3mm / Φ3.69" x 3.68"

IPC2411-HN-DIR

4.0MP HD Network Semi Dome Camera



Features

Excellent Image Quality

- 4.0 Megapixel 1/3" progressive scan CMOS Sensor
- High definition and smooth picture, 2592x1520@20fps, 2048x1520@25fps, 1080p@30fps
- H.265 video codec, saves up to 50% bandwidth and storage
- Low illumination, 0.05lux with color picture
- WDR / HLC / 3D noise reduction

Intelligent

- Motion detection / Tampering / Guard line / Enter guard area / Exit guard area

Integrated High Efficiency IR

- Industrial IR LED with long operational lifespan
- 30m IR distance
- SMART IR function

A Variety of Installation Modes

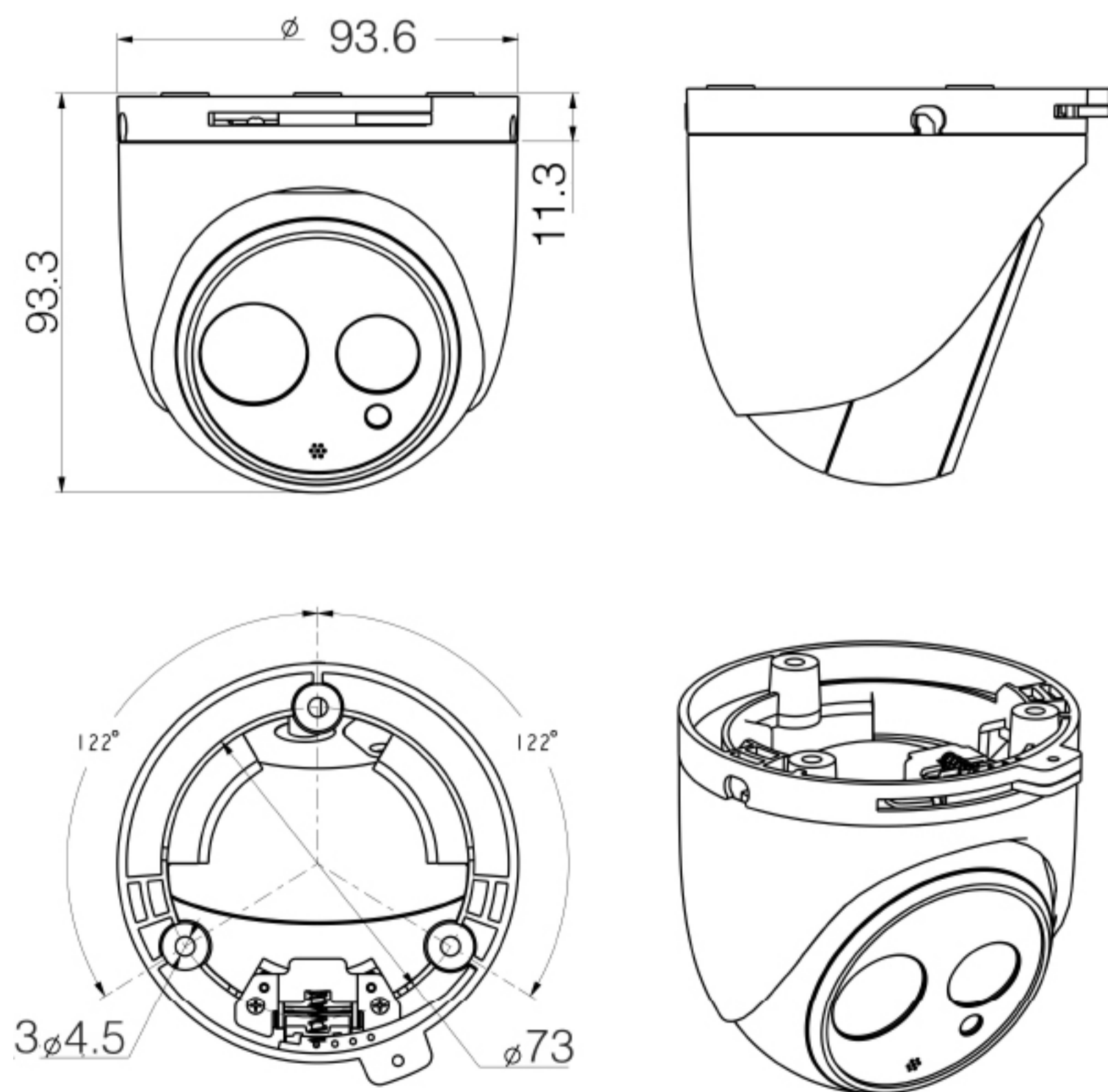
- 90°, 180°, 270° image rotation supported

Abundant Functions and Features

- Built-in Mic
- Dual-stream (2592x1520 + D1)
- Anti-fog glass
- IP66

Dimensions

Units: mm



Specifications

Model	IPC2411-HN -DIR
Camera	
Image Sensor	1/3" progressive scan CMOS
Pixels	4.0 Megapixel
Min. Illumination	Color: 0.05lux @ (F1.6, AGC ON) B/W: 0lux with IR
Shutter Speed	1 ~ 1/30,000s
Day / Night	Auto (ICR) / Color / B/W
Wide Dynamic Range	Digital WDR
S/N Ratio	>50dB
White Balance	Auto / Manual
Gain Control	Auto / Manual
Backlight Compensation	Off / WDR / BLC / HLC
Lens	
Mount Type	M12
Focal Length	2.8mm (-L0280) / 3.6mm (-L0360) / 6mm (-L0600) / 8mm (-L0800)
Angle of View	101.2° (-L0280) / 78.6° (-L0360) / 53.2° (-L0600) / 36.8° (-L0800)
Adjustment Range	Pan: 0° ~ 360° / Tilt: 0° ~ 85° / Rotation: 0° ~ 360°
Infrared	
IR Distance	30m
IR Intensity	SMART IR
Video	
Compression	H.265 / H.264 / MJPEG
Image Resolution	Main stream: 2592x1520 Secondary stream: D1
Frame Rate	Main stream: 2592x1520@20fps, 2048x1520@25fps, 1080p@30fps Secondary stream: D1@30fps
Bitrate	64kbps ~ 16Mbps
Bitrate Control	VBR / CBR
Dual-stream	Supported
Caption	Date and time / Alarm / Customized
Privacy Masking	Up to 4 zones
Motion Detection	Up to 4 zones
ROI	Supported
Digital Noise Reduction	3D noise reduction
Digital Defog	Supported
Image Flip	Flip / Mirror / Rotation at 90°, 180°, 270°
Audio	
Compression	G.711a / G.711u / ADPCM / G.722 / AAC-LC
Bitrate	32kbps ~ 64kbps
Network	
Network Protocols	TCP/IP, UDP, HTTP, DHCP, DNS/DDNS, RTP/RTCP, RTSP, PPPoE, FTP, VSIP, UPnP, 802.1x, NAT, QoS, SMTP, IPv4, IPv6 (optional)
User Interface	IPC Control (IE, Firefox, Chrome)
Max. User Access	10 Users (includes 2 internal access)
Application Programming	ONVIF (Profile S, Profile G), GB/T 28181-2011, API, CGI
Alarm	
Alarm Triggers	Network disconnect
Intelligent	Motion detection / Tampering / Guard line / Enter guard area / Exit guard area
Alarm Events	Alarm report / Text overlay / Email notice
Interfaces	
Ethernet	10/100M, RJ45 interface
Audio	1 x Built-in Mic
Environmental	
Operating Temperature	-40°C ~ 60°C / -40°F ~ 140°F
Operating Humidity	10% ~ 95%
Protection Level	IP66
Electrical	
Power	12V DC ± 10% / External PoE (Optional)
Power Consumption	Max. 11W
Mechanical	
Weight	1kg / 2.2lb (Gross Weight)
Dimensions	Φ93.6 x 93.3mm / Φ3.69" x 3.68"

IPC2411-HN-SIR

4.0MP HD Network Semi Dome Camera



Features

Excellent Image Quality

- 4.0 Megapixel 1/3" progressive scan CMOS Sensor
- High definition and smooth picture, 2592x1520@20fps, 2048x1520@25fps, 1080p@30fps
- H.265 video codec, saves up to 50% bandwidth and storage
- Low illumination, 0.05lux with color picture
- WDR / HLC / 3D noise reduction

Intelligent

- Motion detection / Tampering / Guard line / Enter guard area / Exit guard area

Integrated High Efficiency IR

- Industrial IR LED with long operational lifespan
- 30m IR distance
- Smart IR function

A Variety of Installation Modes

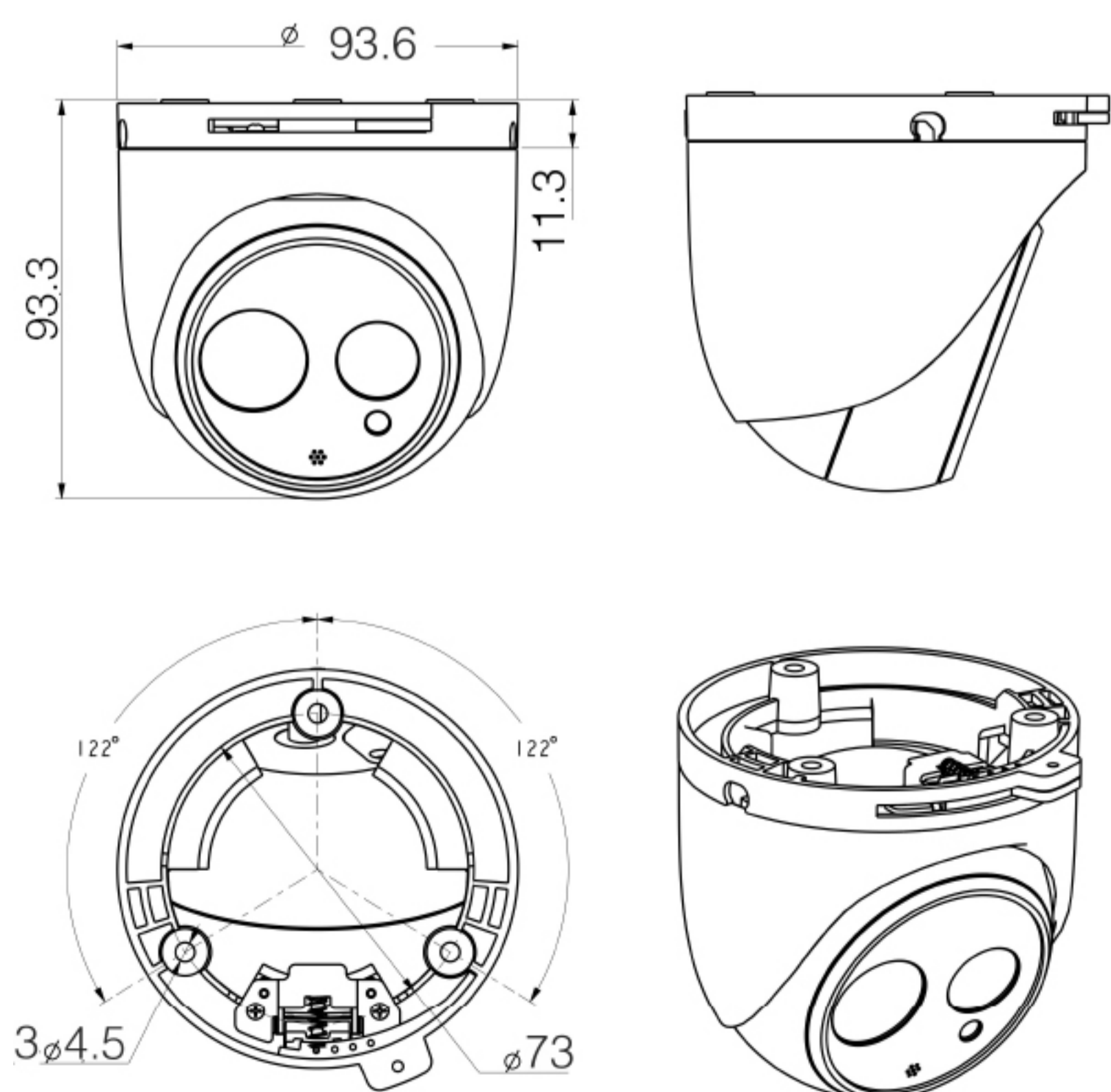
- 90°, 180°, 270° image rotation supported

Abundant Functions and Features

- Automatic Network Replenishment (ANR) supported
- Bi-directional audio / Built-in Mic / alarm in and out / video out / RS485
- 2 channel audio input simultaneously
- Dual-stream (2592x1520 + D1)
- Anti-fog glass
- PoE
- IP66

Dimensions

Units: mm



Specifications

Model	IPC2411-HN-SIR
Camera	
Image Sensor	1/3" progressive scan CMOS
Pixels	4.0 Megapixel
Min. Illumination	Color: 0.05lux @ (F1.6, AGC ON) B/W: 0lux with IR
Shutter Speed	1 ~ 1/30,000s
Day / Night	Auto (ICR) / Color / B/W
Wide Dynamic Range	Digital WDR
S/N Ratio	>50dB
White Balance	Auto / Manual
Gain Control	Auto / Manual
Backlight Compensation	Off / WDR / BLC / HLC
Lens	
Mount Type	M12
Focal Length	2.8mm (-L0280) / 3.6mm (-L0360) / 6mm (-L0600) / 8mm (-L0800)
Angle of View	101.2° (-L0280) / 78.6° (-L0360) / 53.2° (-L0600) / 36.8° (-L0800)
Adjustment Range	Pan: 0° ~ 360° / Tilt: 0° ~ 85° / Rotation: 0° ~ 360°
Infrared	
IR Distance	30m
IR Intensity	Smart IR
Video	
Compression	H.265 / H.264 / MJPEG
Image Resolution	Main stream: 2592x1520 Secondary stream: D1
Frame Rate	Main stream: 2592x1520@20fps, 2048x1520@25fps, 1080p@30fps Secondary stream: D1@30fps
Bitrate	64kbps ~ 16Mbps
Bitrate Control	VBR / CBR
Dual-stream	Supported
Caption	Date and time / Alarm / Customized
Privacy Masking	Up to 4 zones
Motion Detection	Up to 4 zones
ROI	Supported
Digital Noise Reduction	3D noise reduction
Digital Defog	Supported
Image Flip	Flip / Mirror / Rotation at 90°, 180°, 270°
Audio	
Compression	G.711a / G.711u / ADPCM / G.722 / AAC-LC
Bitrate	32kbps ~ 64kbps
Audio Function	Bi-directional audio / AEC / Mixed audio recording / Dumb / Mute
Network	
Network Protocols	TCP/IP, UDP, HTTP, DHCP, DNS/DDNS, RTP/RTCP, RTSP, PPPoE, FTP, VSIP, UPnP, 802.1x, NAT, QoS, SMTP, IPv4, IPv6 (optional)
User Interface	IPC Control (IE, Firefox, Chrome)
Max. User Access	10 (includes 2 internal)
Application Programming	ONVIF (Profile S, Profile G), GB/T 28181-2011, API, CGI
Automatic Network Replenishment (ANR)	Supported
Alarm	
Alarm Triggers	Alarm input / Network disconnect / Disk full / Disk error
Intelligent	Motion detection / Tampering / Guard line / Enter guard area / Exit guard area
Alarm Events	Alarm report / Recording / Text overlay / Snapshot / External output / Email notice / Acoustic alarm
Interfaces	
Ethernet	10/100M, RJ45 interface
Audio In / Out	2 x Line in / 1 x Line out / 1 x Built-in Mic
Control	1 x RS485
Alarm In / Out	1 x Input / 1 x Output
Video Out	1 x BNC, 1.0V [p-p] / 75Ω
Memory Slot	TF card slot, supports up to 128GB
Environmental	
Operating Temperature	-40°C ~ 60°C / -40°F ~ 140°F
Operating Humidity	10% ~ 95%
Protection Level	IP66
Electrical	
Power	12V DC ± 10% / PoE (IEEE802.3af)
Power Consumption	Max. 11W
Mechanical	
Weight	1kg / 2.2lb (Gross Weight)
Dimensions	Φ93.6 × 93.3mm / Φ3.69" × 3.68"

IPC521-H120-W

2.0MP 20x Vehicle WIFI PTZ Camera



Features

Excellent Image Quality

- 2.0 Megapixel 1/2.8" progressive scan CMOS Sensor
- High definition and smooth picture, 1080p@60fps
- H.265 video codec, saves up to 50% bandwidth and storage
- Ultra low illumination, 0.003lux with color picture
- IR automatically adjusts
- 120dB Ultra WDR
- 3D noise reduction / HLC / BLC

Long Operation Lifespan

- Industrial components, withstands operational temperatures between -40°C ~ 70°C
- IP66, TVS 6000V lightning protection, surge protection and voltage transient protection

Large Scale

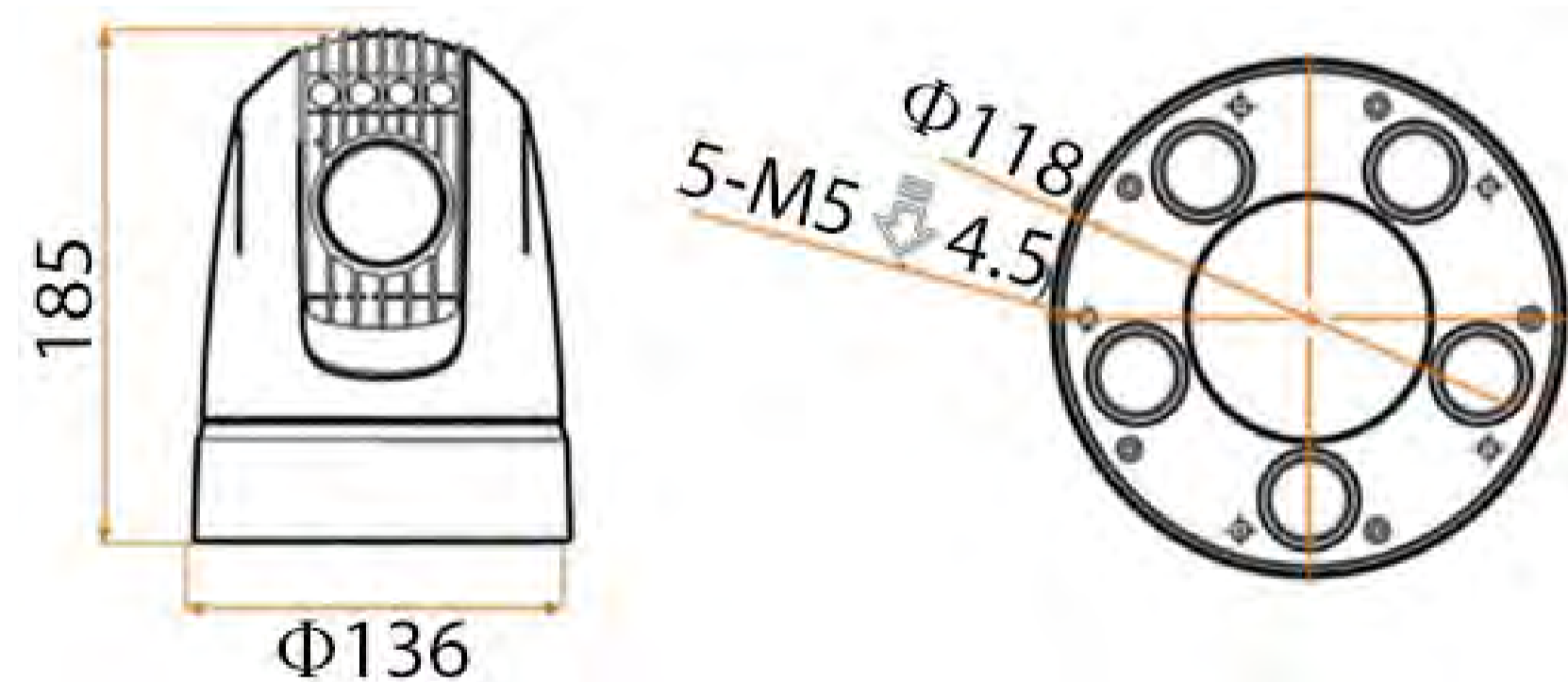
- 20x optical zoom
- IR distance up to 60m

Abundant Functions and Features

- Built-in super magnet
- WIFI supported - Up to 8 hours continuous working with battery
- Vehicle based PT structure

Dimensions

Unit: mm



Specifications

Model	IPC521-H120-W
Camera	
Image Sensor	1/2.8" progressive scan CMOS
Pixels	2.0 Megapixel
Min. Illumination	Color: 0.003lux @ (F1.6, AGC ON) B/W: 0.0003lux @ (F1.6, AGC ON); 0lux with IR
Shutter Speed	1 ~ 1/30,000s
Day / Night	Auto (ICR) / Color / B/W
Wide Dynamic Range	Ultra WDR, 120dB
S/N Ratio	>50dB
White Balance	Auto / Manual
Gain Control	Auto / Manual
Backlight Compensation	Off / WDR / BLC / HLC
Lens	
Focal Length	4.7 ~ 94mm, 20x optical
Zoom Speed	Approx. 3s (Optical)
Angle of View	54.1° ~ 2.9° (Wide~Tele)
Minimum Object Distance	300 ~ 1500mm (Wide~Tele)
Max. Aperture Ratio	F1.6 (Wide) / F3.5 (Tele)
Focus Control	Auto / Manual / Semi-Automatic
Infrared	
IR LED	4 pcs IR LED Array
IR Distance	40 ~ 60m
IR Intensity	Automatically adjust according to zoom ratio
Pan and Tilt	
Pan / Tilt Range	360° Endless / -15° ~ 90° (Auto Flip)
Pan / Tilt Speed	Pan manual speed: 0.1° ~ 30°/s; Pan preset speed: 40°/s Tilt manual speed: 0.1° ~ 30°/s; Tilt preset speed: 40°/s
Proportional Zoom	Pan / Tilt speed can be adjusted automatically according to zoom multiples
Preset	256
Patrol	8 Patrols scheme, up to 32 presets per patrol
Pattern Scan	4 Scan paths, each path can record 10 minutes of operation path
Power-off Memory	Power-off memory / Power-on recovery
Auto Guard	Path / Preset / Mixed / Pan scan / Tilt scan / Frame scan / Random scan / Panorama scan
PT Limit	Manual / Scan / Pan
3D Positioning	PTZ control with mouse click and drag
Video	
Compression	H.265 / H.264 / MJPEG
Image Resolution	Main stream: 1080p Secondary stream: D1
Frame Rate	Main stream: 1080p@60fps Secondary stream: D1@30fps
Bitrate	32kbps ~ 16Mbps
Bitrate Control	VBR / CBR
Multi-stream	Supported
Caption	Date and time / Alarm / Direction / Customized
Privacy Masking	Up to 4 zones
Motion Detection	Up to 4 zones
Video Freeze	Supported
ROI	Supported
Digital Noise Reduction	3D noise reduction
Digital Defog	Supported
Image Flip	Flip / Mirror
Network	
Network Protocols	TCP/IP, UDP, HTTP, DHCP, DNS/DDNS, RTP/RTCP, RTSP, PPPoE, FTP, VSIP, UPnP, 802.1x, NAT, QoS, SMTP, IPv4, IPv6 (optional)
User Interface	IPC Control (IE, Firefox, Chrome)
Max. User Access	Max. 10 users (include 2 internal)
Application Programming	ONVIF (Profile S, Profile G), GB/T 28181-2011, API, CGI
Alarm	
Alarm Triggers	Network disconnect
Alarm Events	Alarm report / Text overlay / Email notice
Interfaces	
Ethernet	10/100M, RJ45 interface
WIFI	Built-in WIFI module
Environmental	
Operating Temperature	Power supplied by built-in battery: -20°C ~ 60°C / -4°F ~ 140°F Power supplied by DC: -40°C ~ 70°C / -40°F ~ 158°F
Operating Humidity	10% ~ 95%
Protection Level	IP66, TVS 6000V lightning protection, surge protection and voltage transient protection
Electrical	
Power	Built-in 10000mAh rechargeable lithium battery Up to 8 hours continuous working with battery 12V DC ± 10%
Power Consumption	Max. 60W (IR on)
Mechanical	
Magnet	Built-in super magnet
Weight	2.5kg / 5.51lb (Gross Weight)
Dimensions	Φ136 × 185mm / Φ5.35" × 7.29"

IPC521-H120-N

2.0MP 20x Vehicle PTZ Camera



Features

Excellent Image Quality

- 2.0 Megapixel 1/2.8" progressive scan CMOS Sensor
- High definition and smooth picture, 1080p@60fps
- H.265 video codec, saves up to 50% bandwidth and storage
- Ultra low illumination, 0.003lux with color picture
- IR automatically adjusts
- 120dB Ultra WDR
- 3D noise reduction / HLC / BLC

Long Operation Lifespan

- Industrial components, withstands operational temperatures between -40°C ~ 70°C
- IP66, TVS 6000V lightning protection, surge protection and voltage transient protection

Large Scale

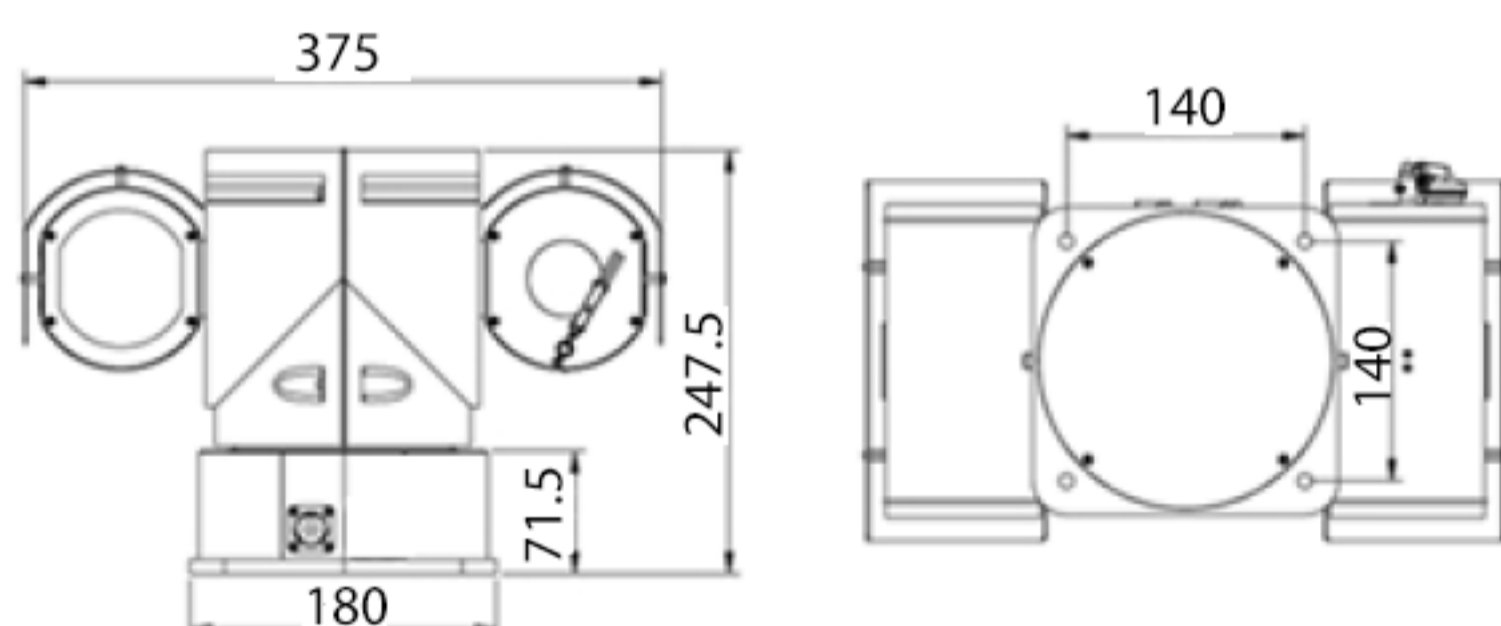
- 20x optical zoom
- IR distance up to 200m

Abundant Functions and Features

- Wiper support
- Vehicle based PT structure

Dimensions

Unit: mm



Specifications

Model	IPC521-H120-N
Camera	
Image Sensor	1/2.8" progressive scan CMOS
Pixels	2.0 Megapixel
Min. Illumination	Color: 0.003lux @ (F1.6, AGC ON) B/W: 0.0003lux @ (F1.6, AGC ON); 0lux with IR
Shutter Speed	1 ~ 1/30,000s
Day / Night	Auto (ICR) / Color / B/W
Wide Dynamic Range	Ultra WDR, 120dB
S/N Ratio	>55dB
White Balance	Auto / Manual
Gain Control	Auto / Manual
Backlight Compensation	Off / WDR / BLC / HLC
Lens	
Focal Length	4.7 ~ 94mm, 20x optical
Zoom Speed	Approx. 3s (Optical)
Angle of View	54.1° ~ 2.9° (Wide~Tele)
Minimum Object Distance	300 ~ 1500mm (Wide~Tele)
Max. Aperture Ratio	F1.6 (Wide) / F3.5 (Tele)
Focus Control	Auto / Manual / Semi-Automatic
Infrared	
IR LED	8 pcs IR LED Array
IR Distance	150 ~ 200m
IR Intensity	Automatically adjust according to zoom ratio
Pan and Tilt	
Pan / Tilt Range	360° Endless / -85° ~ 85° (Auto Flip)
Pan / Tilt Speed	Pan manual speed: 0.1° ~ 80°/s; Pan preset speed: 120°/s Tilt manual speed: 0.1° ~ 60°/s; Tilt preset speed: 100°/s
Proportional Zoom	Pan / Tilt speed can be adjusted automatically according to zoom multiples
Preset	256
Patrol	8 Patrols scheme, up to 32 presets per patrol
Pattern Scan	4 Scan paths, each path can record 10 minutes of operation path
Power-off Memory	Power-off memory / Power-on recovery
Auto Guard	Path / Preset / Mixed / Pan scan / Tilt scan / Frame scan / Random scan / Panorama scan
PT Limit	Manual / Scan / Pan
3D Positioning	PTZ control with mouse click and drag
Wiper	Supported
Video	
Compression	H.265 / H.264 / MJPEG
Image Resolution	Main stream: 1080p Secondary stream: D1
Frame Rate	Main stream: 1080p@60fps Secondary stream: D1@30fps
Bitrate	32kbps ~ 16Mbps
Bitrate Control	VBR / CBR
Multi-stream	Supported
Caption	Date and time / Alarm / Direction / Customized
Privacy Masking	Up to 4 zones
Motion Detection	Up to 4 zones
Video Freeze	Supported
ROI	Supported
Digital Noise Reduction	3D noise reduction
Digital Defog	Supported
Image Flip	Flip / Mirror
Network	
Network Protocols	TCP/IP, UDP, HTTP, DHCP, DNS/DDNS, RTP/RTCP, RTSP, PPPoE, FTP, VSIP, UPnP, 802.1x, NAT, QoS, SMTP, IPv4, IPv6 (optional)
User Interface	IPC Control (IE, Firefox, Chrome)
Max. User Access	Max. 10 users (include 2 internal)
Application Programming	ONVIF (Profile S, Profile G), GB/T 28181-2011, API, CGI
Alarm	
Alarm Triggers	Network disconnect
Alarm Events	Alarm report / Text overlay / Email notice
Interfaces	
Ethernet	10/100M, RJ45 interface
Environmental	
Operating Temperature	-40°C ~ 70°C / -40°F ~ 158°F
Operating Humidity	10% ~ 95%
Protection Level	IP66, TVS 6000V lightning protection, surge protection and voltage transient protection
Electrical	
Power	9 ~ 36V DC, wide range voltage input
Power Consumption	Max. 60W (IR on)
Mechanical	
Weight	7kg / 15.44lb (Gross Weight)
Dimensions	180mm x 375mm x 247.5mm / 7.09" x 14.77" x 9.75"

IPC521-F233-N

2.0MP 33x Vehicle PTZ Camera



Features

Excellent Image Quality

- 2.0 Megapixel 1/3" progressive scan CMOS Sensor
- High definition and smooth picture, 1080p@30fps
- H.265 video codec, saves up to 50% bandwidth and storage
- Ultra low illumination, 0.003lux with color picture
- IR automatically adjust
- 120dB Ultra WDR
- 3D noise reduction / HLC / BLC

Long Operation Lifespan

- Industrial components, withstands operational temperatures between -40°C ~ 70°C
- IP66, TVS 6000V lightning protection, surge protection and voltage transient protection

Large Scale

- 33x optical zoom
- IR distance up to 200m

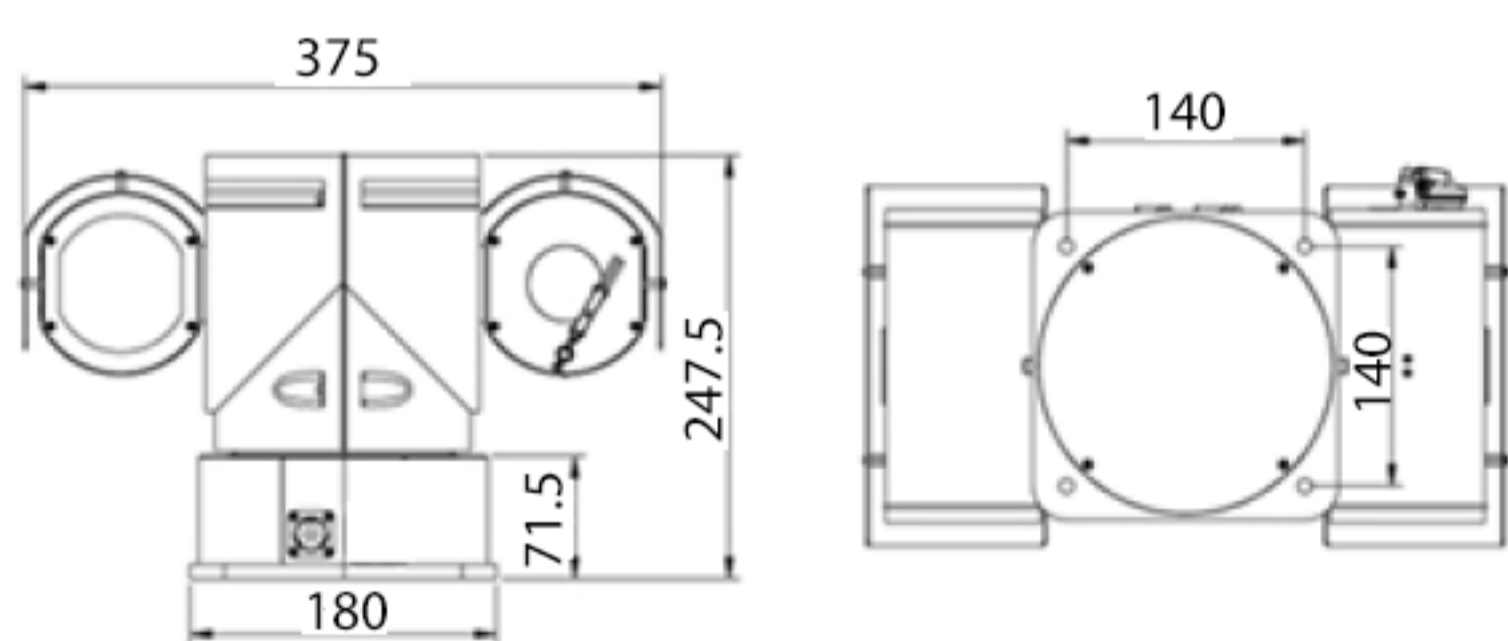
Abundant Functions and Features

- Wiper support
- Vehicle based PT structure

Specifications

Model	IPC521-F233-N
Camera	
Image Sensor	1/3" progressive scan CMOS
Pixels	2.0 Megapixel
Min. Illumination	Color: 0.003lux @ (F1.6, AGC ON) B/W: 0.0003lux @ (F1.6, AGC ON); 0lux with IR
Shutter Speed	1 ~ 1/30,000s
Day / Night	Auto (ICR) / Color / B/W
Wide Dynamic Range	Ultra WDR, 120dB
S/N Ratio	>55dB
White Balance	Auto / Manual
Gain Control	Auto / Manual
Backlight Compensation	Off / WDR / BLC / HLC
Lens	
Focal Length	4.5 ~ 148.5mm, 33x optical
Zoom Speed	Approx. 3s (Optical)
Angle of View	67.8°~2.34° (Wide~Tele)
Minimum Object Distance	300 ~ 1500mm (Wide~Tele)
Max. Aperture Ratio	F1.6 (Wide) / F4.4 (Tele)
Focus Control	Auto / Manual / Semi-Automatic
Infrared	
IR LED	8 pcs IR LED Array
IR Distance	150 ~ 200m
IR Intensity	Automatically adjust according to zoom ratio
Pan and Tilt	
Pan / Tilt Range	360° Endless / -85° ~ 85° (Auto Flip)
Pan / Tilt Speed	Pan manual speed: 0.1° ~ 80°/s; Pan preset speed: 120°/s Tilt manual speed: 0.1° ~ 60°/s; Tilt preset speed: 100°/s
Proportional Zoom	Pan / Tilt speed can be adjusted automatically according to zoom multiples
Preset	256
Patrol	8 Patrols scheme, up to 32 presets per patrol
Pattern Scan	4 Scan paths, each path can record 10 minutes of operation path
Power-off Memory	Power-off memory / Power-on recovery
Auto Guard	Path / Preset / Mixed / Pan scan / Tilt scan / Frame scan / Random scan / Panorama scan
PT Limit	Manual / Scan / Pan
3D Positioning	PTZ control with mouse click and drag
Wiper	Supported
Video	
Compression	H.265 / H.264 / MJPEG
Image Resolution	Main stream: 1080p Secondary stream: D1
Frame Rate	Main stream: 1080p@30fps Secondary stream: D1@30fps
Bitrate	32kbps ~ 16Mbps
Bitrate Control	VBR / CBR
Multi-stream	Supported
Caption	Date and time / Alarm / Direction / Customized
Privacy Masking	Up to 4 zones
Motion Detection	Up to 4 zones
Video Freeze	Supported
ROI	Supported
Digital Noise Reduction	3D noise reduction
Digital Defog	Supported
Image Flip	Flip / Mirror
Network	
Network Protocols	TCP/IP, UDP, HTTP, DHCP, DNS/DDNS, RTP/RTCP, RTSP, PPPoE, FTP, VSIP, UPnP, 802.1x, NAT, QoS, SMTP, IPv4, IPv6 (optional)
User Interface	IPC Control (IE, Firefox, Chrome)
Max. User Access	Max. 10 users (include 2 internal)
Application Programming	ONVIF (Profile S, Profile G), GB/T 28181-2011, API, CGI
Alarm	
Alarm Triggers	Network disconnect
Alarm Events	Alarm report / Text overlay / Email notice
Interfaces	
Ethernet	10/100M, RJ45 interface
Environmental	
Operating Temperature	-40°C ~ 70°C / -40°F ~ 158°F
Operating Humidity	10% ~ 95%
Protection Level	IP66, TVS 6000V lightning protection, surge protection and voltage transient protection
Electrical	
Power	9 ~ 36V DC, wide range voltage input
Power Consumption	Max. 60W (IR on)
Mechanical	
Weight	7kg / 15.44lb (Gross Weight)
Dimensions	180mm x 375mm x 247.5mm / 7.09" x 14.77" x 9.75"

Dimensions Unit: mm



KDM2410M-V21

Vehicle NVR / WiFi, 4G, GPS



Features

Excellent Video Transmission

- KWTP protocol for 3G / 4G transmission, improve the video stream continuity under unstable network
- H.265 video codec, saves up to 50% bandwidth and storage

High Reliability

- Embedded Linux
- Low power consumption
- Aviation plug design for Ethernet, video, audio, control signal and power supply
- Fan-less design with heat dissipation shell
- Shock-proofed design, protect the HDD while vehicle is being driven

Easy to Use

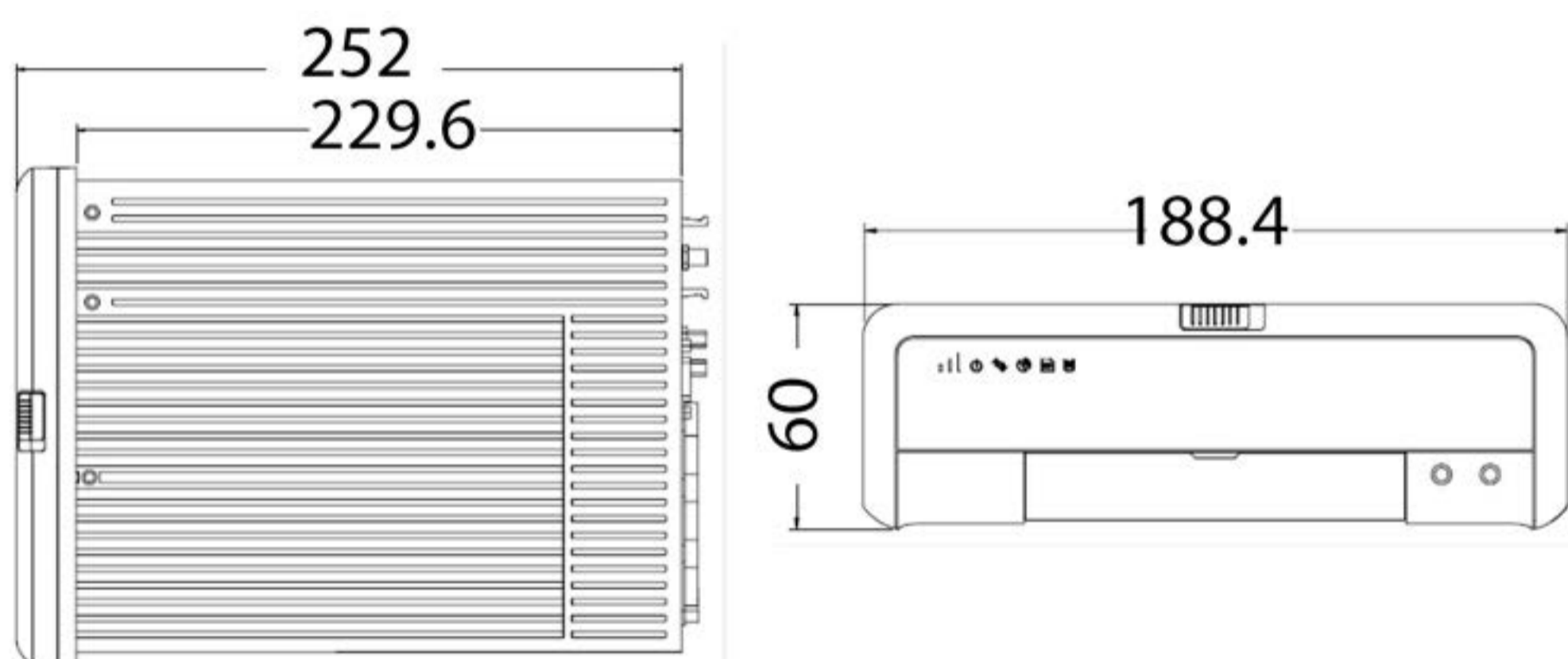
- Pluggable HDD drawer, easy to change HDD module
- HDD module support USB interface, easy to backup record

Abundant functions and features

- 4 Channel IP Camera + 4 Channel Analog Camera access
- Built-in WIFI AP module, can access WIFI IP camera and PAD
- All mobile networks supported
- Built-in GPS module
- Dual SIM card bundle supported

Dimensions

Unit: mm



Specifications

Model	KDM2410M-V21
Camera Input	
IP Camera	4 Channel
Analog Camera	4 Channel
Video	
Compression	H.265 / H.264
Resolution	4MP, 1080p, 720p, D1, CIF, QCIF
Dual-stream	Supported
Video Frame Rate	1 ~ 30fps
Bitrate	64Kbps ~ 4Mbps
Audio	
Compression	G.711a / G.711u / ADPCM / AMR / G.722.1c / AAC-LC
Bit rate	24Kbps ~ 64Kbps
Audio Function	Bi-directional audio / AEC / Mute / Dumb / Remix
Storage	
HDD	1 x 2.5" hard disk (hard disk drawer), Max. 4TB
Memory Slot	SD slot, support up to 128GB
Network	
Network Protocol supported	TCP/IP, ARP, FTP, TELNET, HTTP, RTP/RTCP, SNTP, VSIP, KWTP, IPv4, IPv6 (optional)
Function	NAT / Multiple network access / Packet loss recovery
Wireless	3G (optional) / 4G (optional) / WIFI
3G / 4G Frequency Band	FDD-LTE: B1 / B2 / B3 / B5 / B7 / B8 / B20 TDD-LTE: B38 / B39 / B40 / B41 HSPA / UMTS: 850 / 900 / 1800 / 1900 / 2100MHz GSM / GPRS / EDGE: 850 / 900 / 1800 / 1900MHz TD-SCDMA: B34 / B39 EVDO/CDMA: BC0 / BC1
WIFI	802.11b/g/n 2.4G, WIFI AP
Location Technology	GPS, GLONASS (optional), BeiDou (optional)
Interfaces	
Ethernet	1 x RJ45, 10Base-T/100Base-TX
Audio In / Out	1 x Mic in, 1 x Mic out
Aviation Plug	4 x 10 pin: 4 x Video input / 4 x Audio input, 4 x DC12V / 1A Output, 4 x RJ45 1 x 4 pin: Power supply for PTZ Camera 1 x 10 pin: Video output 1 x 9 pin: Power input 9 ~ 36V DC
Alarm In / Out	4 x Input / 1 x Output
Control	1 x RS485, 1 x RS232
Antenna	1 x WIFI Antenna interface, 1 x GPS Antenna interface
Extension	3 x Extension module slot (supports 3G / 4G module, GLONASS / BeiDou module)
Environmental	
Operating Temperature	-40°C ~ 70°C / -40°F ~ 158°F
Operating Humidity	10% ~ 85%
Elevation	-60m ~ 5000m
Electrical	
Power	9 ~ 36V DC wide range input 12V DC input
Power Consumption	15W (HDD not included)
Mechanical	
Weight	2.45kg
Dimension	252mm x 188.4mm x 60mm
Accessories	
Standand	1 x WIFI Antenna, 1 x GPS Antenna, 7 x Aviation plug connector cable, 1 x USB cable
Optional	3G / 4G Module, Mounting Box, HDD Box, Android Pad

KDM-2510 series

Vehicle NVR / WiFi, 4G, GPS



EYE TO EYE
SECURITY



Features

Excellent Video Transmission

- KWTP protocol for 3G / 4G transmission, improve the video stream continuity under unstable network
- H.265 video codec, saves up to 50% bandwidth and storage

High Reliability

- Embedded Linux
- Low power consumption
- Tailor-made connectors for Ethernet, video, audio, control signal and power supply - Fan-less design with heat dissipation shell
- Shock-proofed design, protect the HDD while vehicle is being driven

Easy to Use

- Built-in ruggedised HDD with up to 4TB

Abundant functions and features

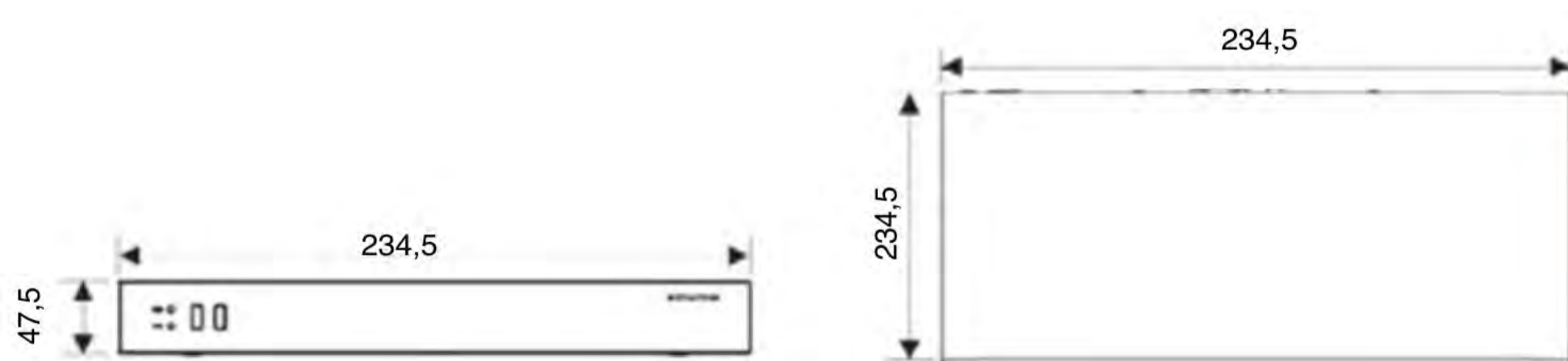
- 4, 9, 16 IP camera channels for Kedacom or 3rd party cameras (ONVIF)
- WiFi, 3G/4G, GPS compliant
- All mobile networks supported

Specifications

Model	KDM2510M-04A	KDM2510M-09A	KDM2510M-16A
Video/Audio Input			
IP Camera Input	4 channel	9 channel	16 channel
Resolution	8MP(4K), 6MP, 5MP, 4MP, 3MP, 1080p, UXGA, 960p, 720p, XGA, SVGA, D1, CIF, QCIF		
Compression Format	H.265 / H.264		
Protocols	Onvif, RTSP, KEDACOM		
Bitrate	64kbps ~ 16384kbps		
Incoming Bandwidth	40Mbps	90Mbps	160Mbps
Live Viewing			
Local Display	2 x HDMI, 1 x VGA		
Multi-Screen Display Local monitor (Main / Secondary)	1, 4, 9, 15, 16, 1+4,1+5, 1+8, 1+9, 1+15, 1/1, 4/1, 9/1, 15/1, 16/1, 1+4/1, 1+8/1, 1+9/1, 1+15/1, 4/9, 9/4, 9/9		
Recording			
Resolution	8MP(4K), 6MP, 5MP, 4MP, 3MP, 1080p, UXGA, 960p, 720p, XGA, SVGA, D1, CIF, QCIF		
Mode	Manual / Continuous / Schedule / Event (Pre / Post)		
Event Trigger	Supported		
Tag	Supported		
Reliability	Automatic Network Replenishment (ANR)		
Search & Playback			
Search Mode	Date & Time (Calendar) / Event		
Resolution	8MP(4K), 6MP, 5MP, 4MP, 3MP, 1080p, UXGA, 960p, 720p, XGA, SVGA, D1, CIF, QCIF		
Playback (Local Monitor)	4 x 4K@30fps / 4x 1080p@30fps		
Synchronize Playback (Local Monitor)	4 x 4K@30fps / 4x 1080p@30fps		
Function	Slow forward / Fast forward / Loop / Single frame /E-PTZ / Slice playback		
Storage			
Max. Internal HDDs	1x 2.5" HDD Max. 4TB		
Audio			
Compression	G.711a / G.711u / ADPCM / G.722 / G.722.1c / AAC-LC		
Bit rate	32kbps ~ 64kbps		
Audio Function	Bi-directional audio / Dumb / Broadcasting		
Alarm			
Service Alarm Triggers	Alarm input / Motion detection / Tampering / Guard line / Defocus / Sense change / Enter guard area / Exit guard area / Object left / Object removal / Gathering / Audio surge		
System Alarm Triggers	Device disconnected / No disk / Disk error / IP Address conflict / Network disconnected / Insufficient recording space / MAC address conflict / Insufficient snapshot space		
Alarm Events	Snapshot / Recording / PTZ Preset / Buzzer / Email / Link to Client / Alarm caption / Live view in first window / Link to TV Wall / Link to secondary screen / Full screen viewing		
System			
Operation System	Embedded Linux		
User Management	Admin / User		
Log Management	User login / User operation / Alarm / Backup / Update		
Application Programming	SDK		
Network			
Network Protocol	TCP/IP, UDP, HTTP, DHCP, DNS/DDNS, RTP/RTCP, RTSP, FTP, SNTP, VSIP, KWTP, UPNP, SMTP, IPv4, IPv6 (optional)		
Viewer Software	CMS (NVR Station) / Web / iOS app / Android app		
Max. User Access	64 Users		
Output Bandwidth	256Mbps		
Function	NAT / Socks5 / Multiple network access / Packet loss recovery / Auto network organizing		
3G / 4G Frequency Band	FDD-LTE: B1 / B2 / B3 / B5 / B7 / B8 / B20 TDD-LTE: B38 / B39 / B40 / B41 HSPA / UMTS: 850 / 900 / 1800 / 1900 / 2100MHz GSM / GPRS / EDGE: 850 / 900 / 1800 / 1900MHz TD-SCDMA: B34 / B39 EVDO/CDMA: BC0 / BC1		
Location Technology	GPS, GLONASS (optional),		
Network Test	Supported		
Interfaces			
Ethernet	1 x Giga Bit network port		
Video Out	2 x HDMI (HDMI2 up to 3840 x 2160@30Hz) 1 x VGA (up to 1920 x 1080@60Hz)		
Control	1 x RS485		
USB	1x USB3.0		
Environmental			
Operating Temperature	-10°C ~ 55°C / 14°F ~ 131°F		
Operating Humidity	10% ~ 90%		
Electrical			
Power	9 ~ 36V DC wide range input		
Power Consumption	Max. 15W (HDD not included)		
Mechanical			
Weight	1.2Kg (HDD not included)		

Dimensions

Unit: mm



IPA102

Network Video Adaptor



Features

Mini size

- 0.2kg / 0.54lb
- 120 x 64 x 24mm / 4.72" x 2.52" x 0.94"

Easy to install

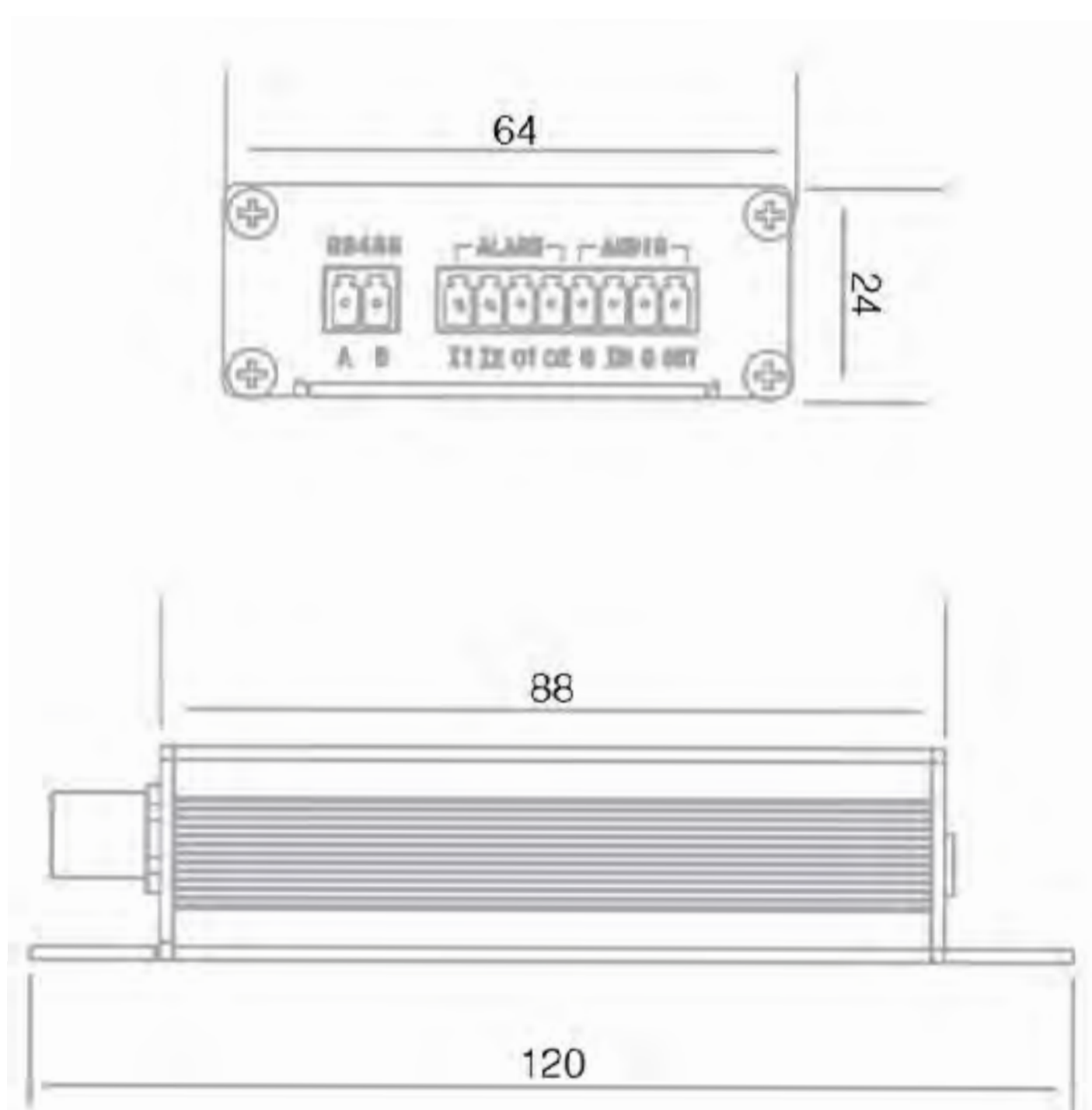
- Built-in Web Server, easy to manage and configure

Abundant functions and features

- H.264 high profile video codec, saves up to 30% bandwidth and storage
- Dual-stream
- TF card slot, supports Automatic Network Replenishment (ANR)
- Bi-directional audio / alarm in and out / RS485

Dimensions

Unit: mm



Specifications

Model	IPA102
Video	
Compression	H.264
Image Resolution	D1, CIF, QCIF
Frame Rate	1 ~ 25fps
Bitrate	64kbps ~ 4Mbps
Audio	
Compression	G.711 / ADPCM
Bitrate	32kbps ~ 64kbps
Network	
Network Protocols Supported	TCP/IP, ARP, ICMP, FTP, DNS/DDNS, RTP/RTCP, PPPoE, FTP, NTP, SNMP
User Interface	Web
Interfaces	
Ethernet	10/100M, RJ45 interface
Audio In / Out	1 x Line in / 1 x Line out
Control	1 x RS485
Alarm In / Out	1 x Input / 1 x Output
Video In	1 x BNC
Memory Slot	TF card slot
Environmental	
Operating Temperature	-20°C ~ 60°C / -4°F ~ 140°F
Operating Humidity	10% ~ 90%
Electrical	
Power	12V DC
Power Consumption	Max. 4W
Mechanical	
Weight	0.2kg / 0.54lb (Gross Weight)
Dimensions	120 x 64 x 24mm / 4.72" x 2.52" x 0.94"



Dear Clients,

Thank you for taking the time to browse our Product Catalogue.

We have incorporated herein our comprehensive product range to suit versatile moving surveillance solutions.

We are especially excited to develop our advanced Recognitive Tracking System which has been the world's first of its type.

Before we do anything, we start with our clients in mind and this enables us to develop solutions which create tangible benefits and deliver excellent return on investment.

We are intrinsically R&D oriented in spirit and for this reason we invest a large part of our annual revenue to develop innovative products and solutions.

We take to heart the adage that excellence is a journey and cordially invite you to join us through a progressive future.

Warmest welcome,

Eye To Eye Security and KEDACOM Team

The information in this document is subject to change without prior notice. Every effort has been made in the preparation of this document to ensure accuracy of the contents, but that does not guarantee a complete omission of errors and as such any errors present as a result are purely accidental. Further any and all statement/s, information and recommendations in this document do not constitute a warranty of any kind whether expressed or implied. Eye To Eye Security and Kedacom International Pte Ltd, its staff and partners and associates are not in any way responsible for printing or clerical errors.